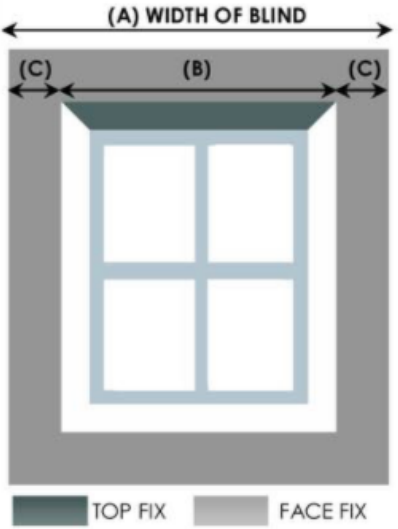


Vertical Blind Fitting Instructions

Step 1

Outside Recess
If the blind is to be fitted outside the window, ensure that measurement **C** is the same. **C** is simply equal to **A** minus **B**, divided by two. Follow instructions for FACE FIXING.

Inside Recess
If TOP FIXING, fix to the lintel if the window frame is uPVC, or if there are no obstructions. If FACE FIXING, fit bracket to the window frame.

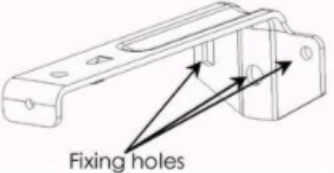


(A) WIDTH OF BLIND
(B)
(C)

TOP FIX FACE FIX

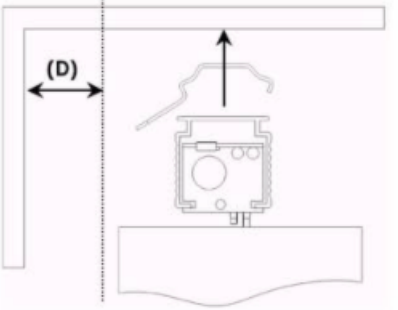
Step 2

Face Fixing
Position brackets approx 5cm from the ends of the headrail. Mark fixing holes and screw brackets into place.



Fixing holes

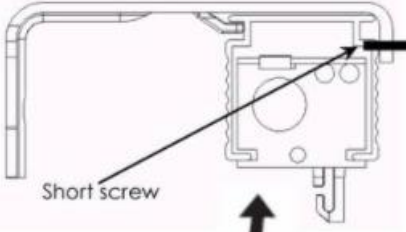
Top Fixing
Measure and mark the distance (D), allowing for obstructions like handles that protrude into the recess area. Hold the blind in the recess and find the bracket fixing position. Drill brackets into position 5cm from the recess side walls.



(D)

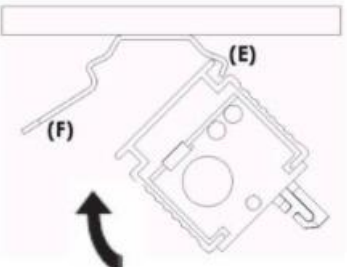
Step 3

Face Fixing
Hook the back of the headrail into the bracket and rotate the headrail into position. Secure headrail by tightening the short screw in the front of the bracket.



Short screw

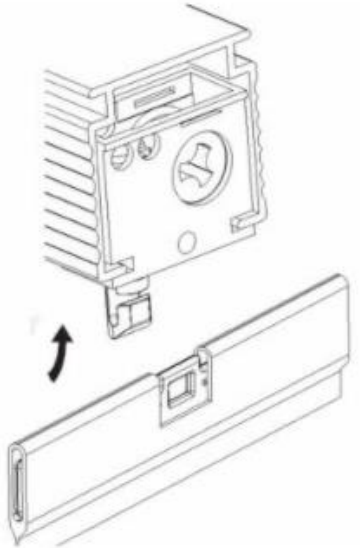
Top Fixing
Tilt and hook headrail into bracket at point (E). Rotate the headrail into position until it clicks. To release the headrail push the bracket at point (F).



(E)
(F)

Step 4

With the headrail fitted hook each hanger into the louvres, ensuring the louvres are in open position.



IMPORTANT CHILD SAFETY INFORMATION – To comply with 2014 legal requirements for internal window blinds, your blind has been supplied with a chain/cord tidy safety device. This is attached to the cord/chain on your headrail(s), fitting instructions are also enclosed. It is compulsory for this to be fitted in ALL circumstances.